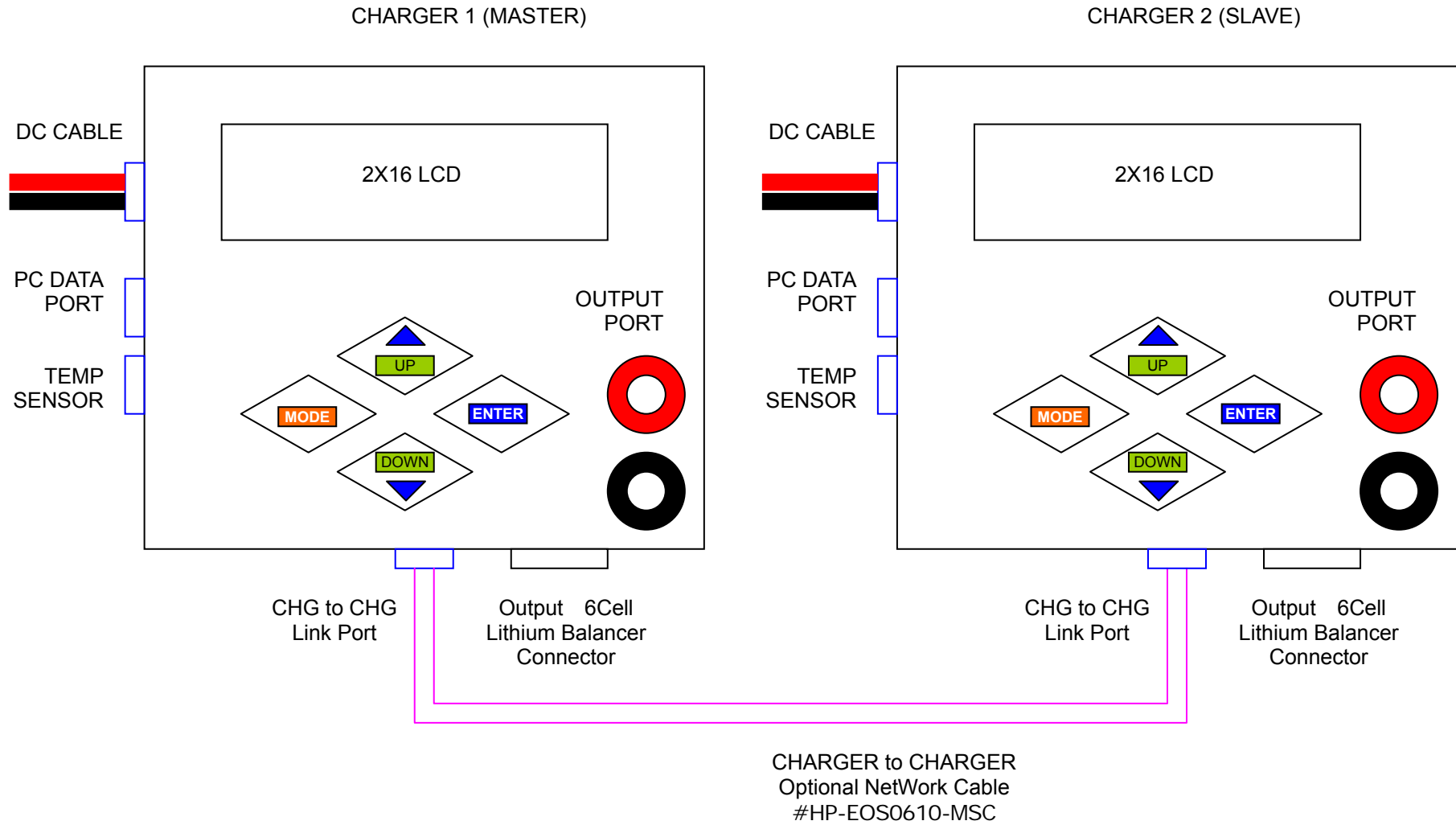
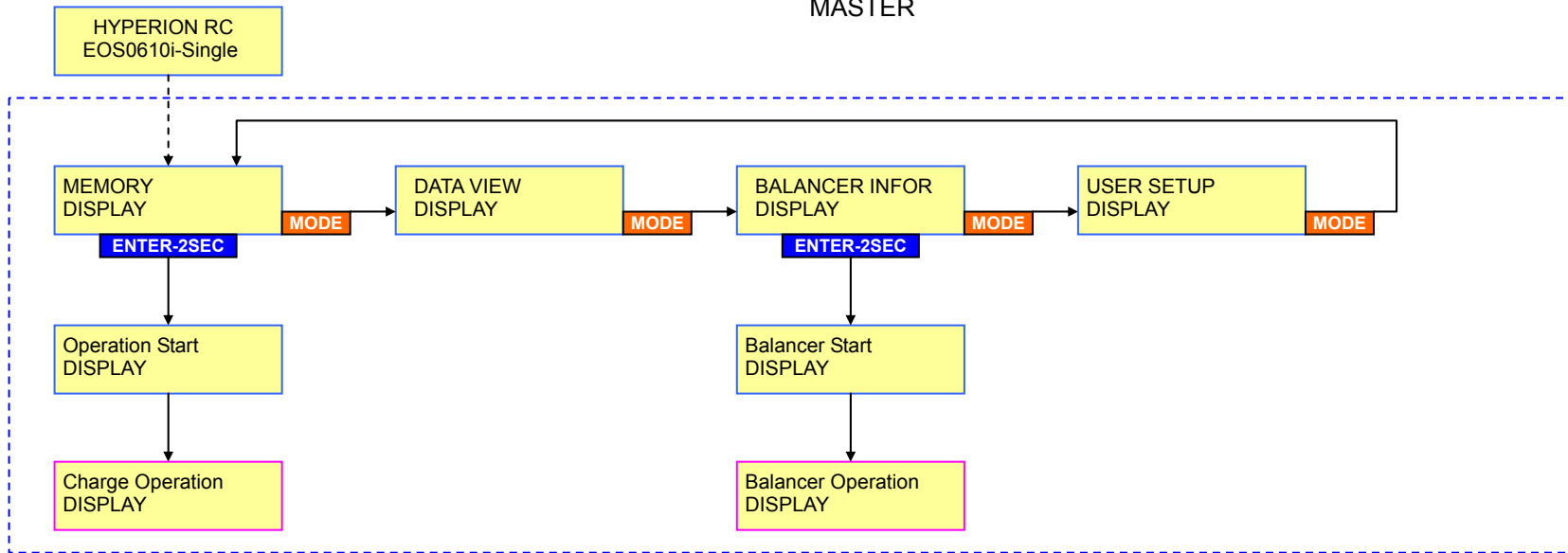


# HYPERION EOS0610iNET Ports & Net Cable

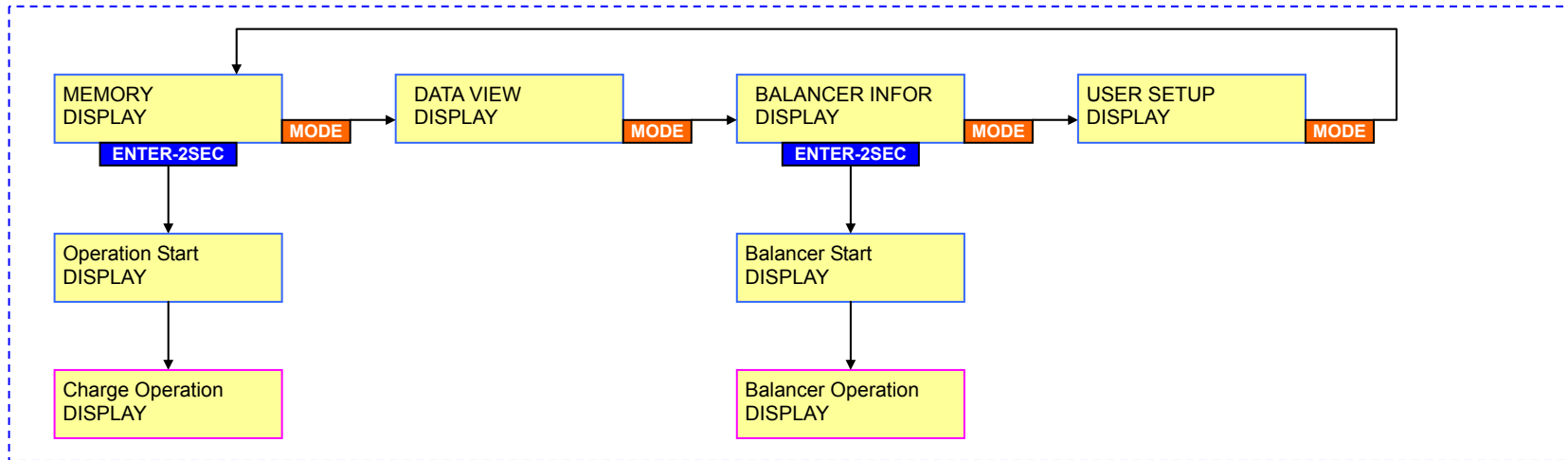


# MENU FLOW CHARTS

## MASTER

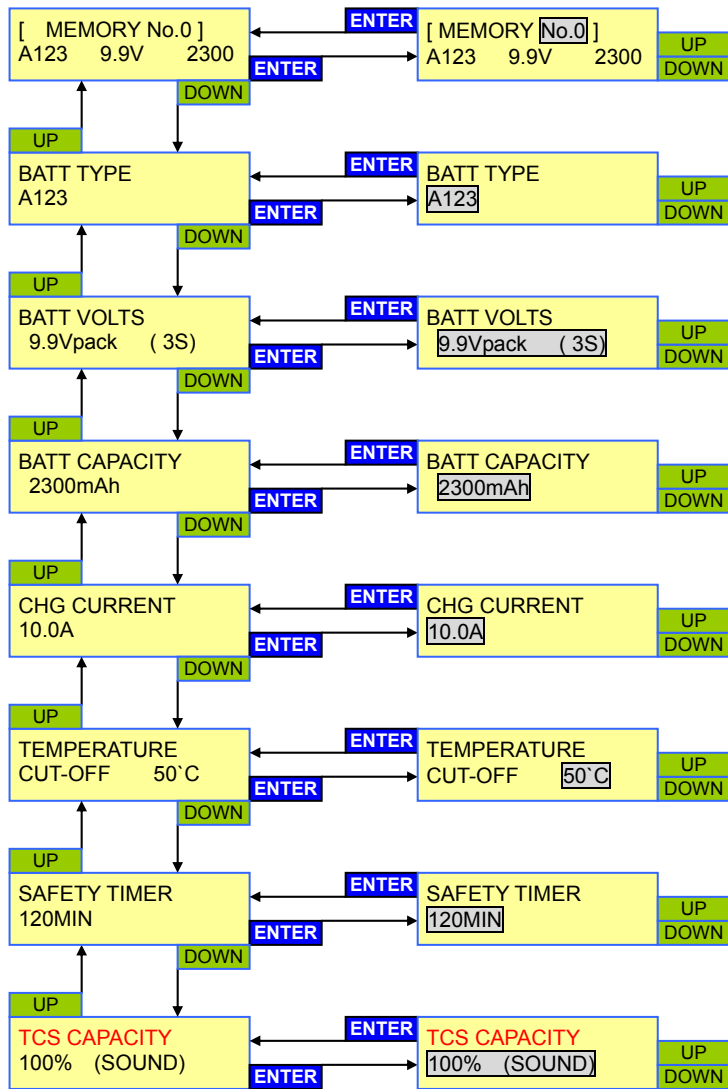


## SLAVE

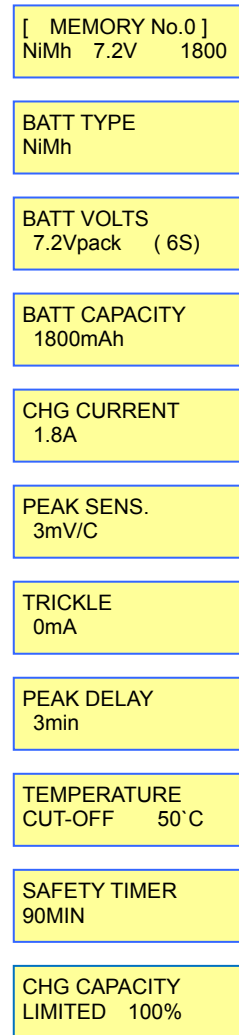


# MEMORY (CHARGE) DISPLAY

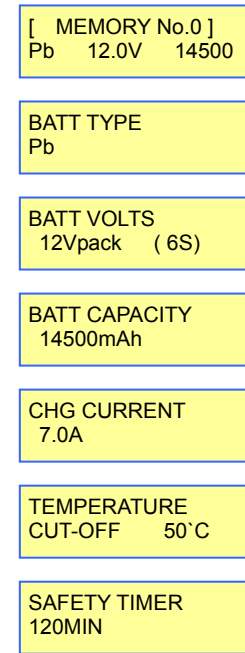
Lilo/LiPo/A123



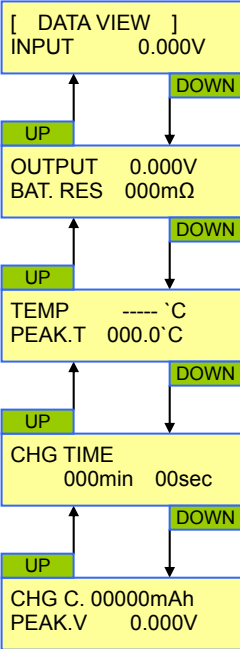
NiCd/NiMH



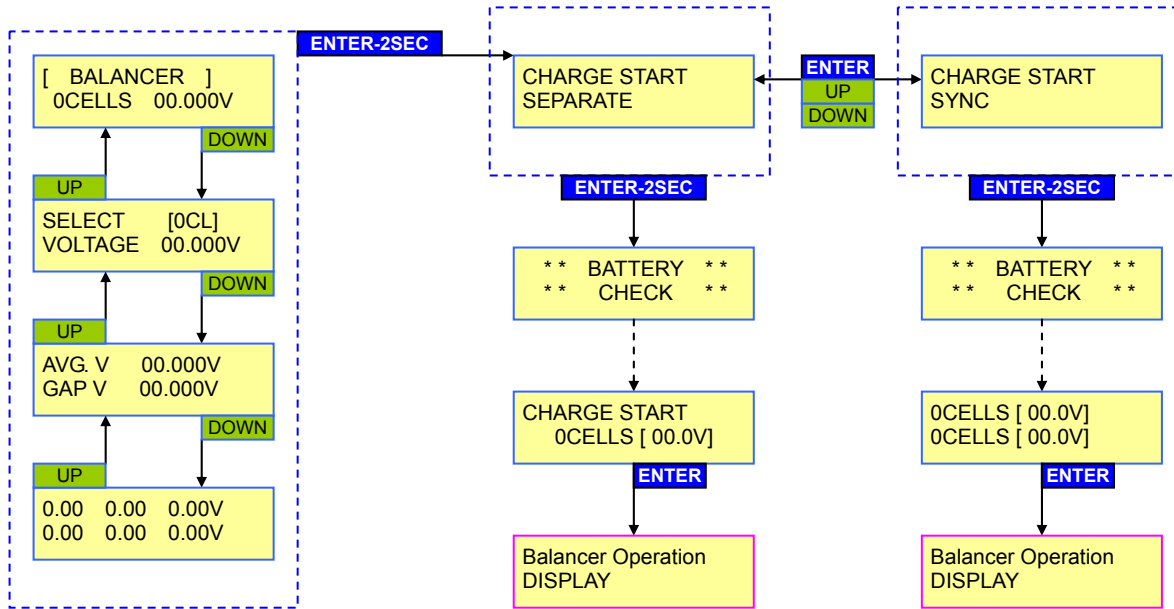
Pb



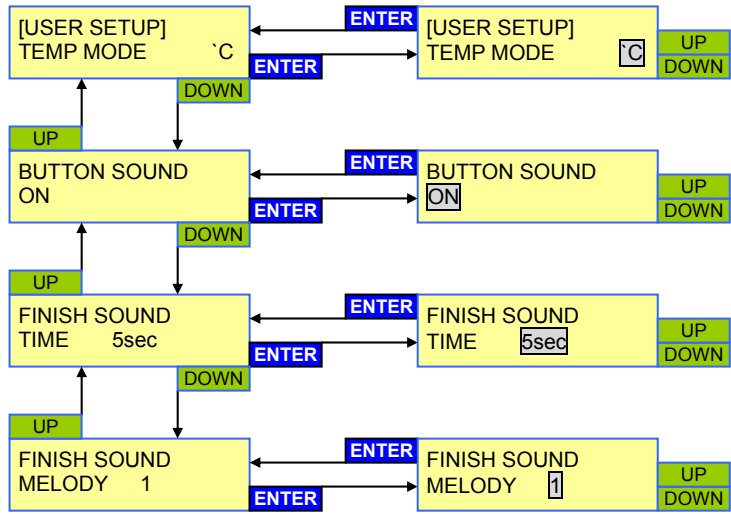
**DATA VIEW DISPLAY**



# BALANCE INFORMATION DISPLAY

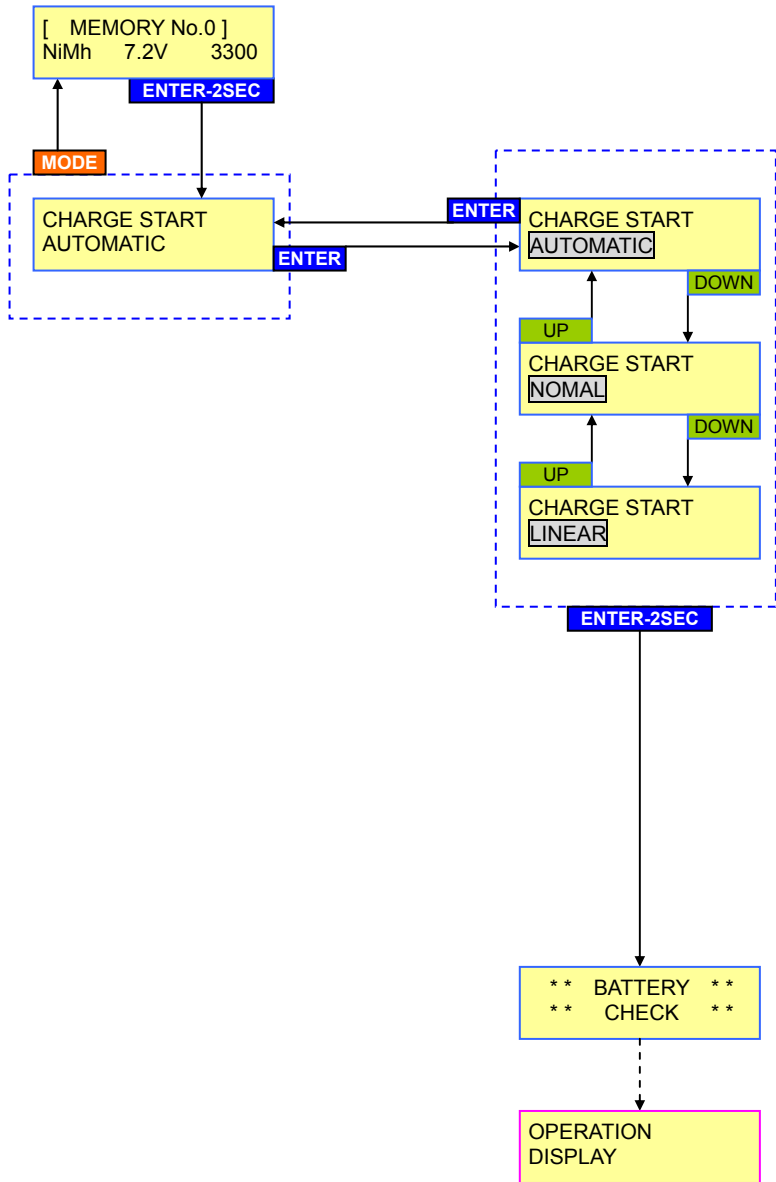


# USER SETUP DISPLAY

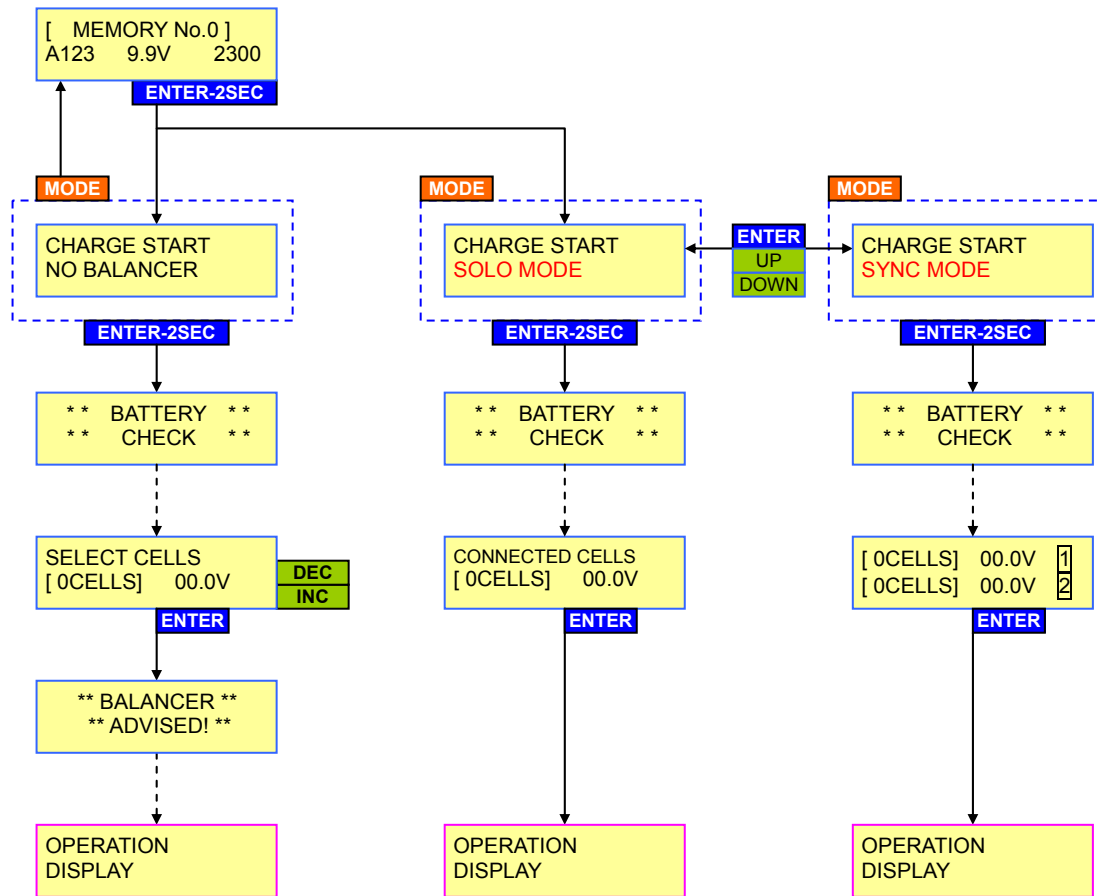


# START SETUP DISPLAY

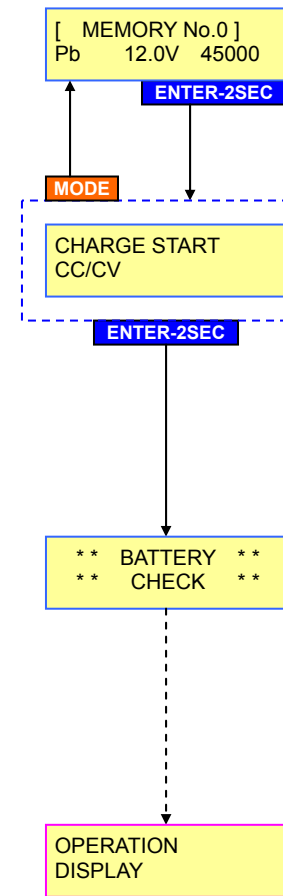
## > NiCd / NiMh Battery Start



### Lilo (Ion 3.6v) / LiPo (3.7v) / A123-LiFePO4 (3.3v) Battery Start



### PB Battery Start





## 8. OPERATION and FINISH DISPLAY

